

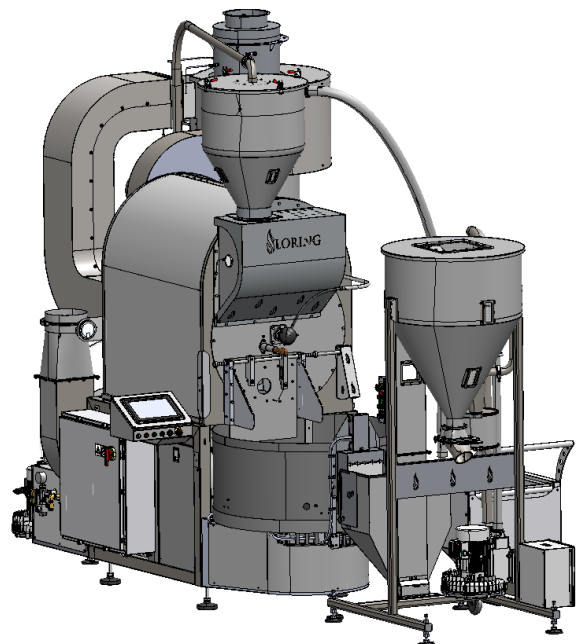
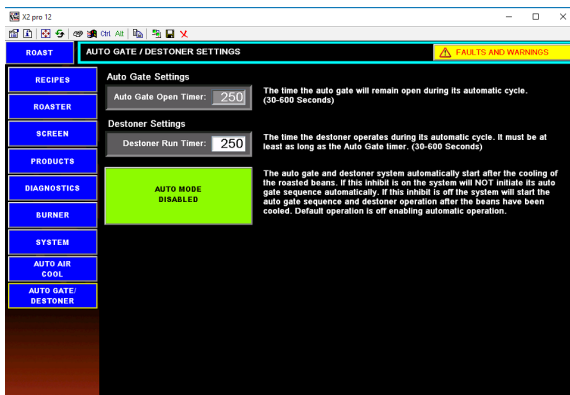
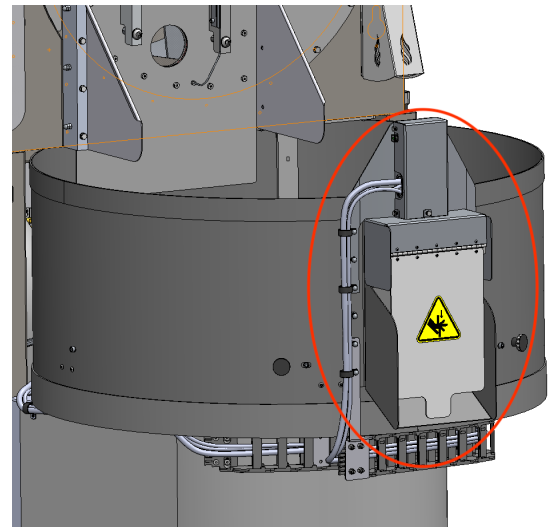
LORING™ S70 Peregrine™ Cooler Tray Auto Gate

Consistent. Repeatable. Continued...

The Loring cooler tray auto gate is an optional feature of the S70 Peregrine roaster. It expands on Loring roaster automation features by providing a laborsaving means to discharge beans from the cooler tray, and a self-actuated destoning mechanism.

Features & Benefits

- Cooler tray gate opens and closes automatically, without user intervention
- D70 integration allows coordinated start of destoning after bean cooling
- Manual override button
- Configured via roaster touchscreen



Frequently Asked Questions

1. What controls the gate automation?

Once the user defined bean cooling period has completed, the cooler tray gate will automatically open. A user defined timer determines how long before the gate automatically closes.

If paired with a Loring D70, the destoner will automatically start upon opening of the auto gate. A user defined timer determines how long the destoner will operate before shutting off.

2. How does the destoner integration work?

A communications (comms) cable connects the roaster to the electrical box of the D70 destoner. A signal from the roaster tells the destoner when to start, and how long to run.

3. Do I need an external computer or other control system for the auto gate to work?

No. The auto gate is controlled by settings accessible from the roaster touchscreen.

4. Is a Loring D70 destoner required to use the auto gate?

No. The gate can be utilized to discharge beans from the cooling tray into any waiting receptacle of your choosing, or the floor for that matter.

5. Is the auto gate available for S15 Falcon or S35 Kestrel roasters?

The auto gate feature is currently only available for the S70 Peregrine model roaster.

6. Can the gate be opened manually?

A push button on the side of the gate allows you to open and close the gate on demand.

7. Can existing S70 Peregrine roasters be upgraded to add an auto gate?

Yes. A field upgrade kit is available for purchase. To enable D70 destoner integration, an upgrade may be required for that unit as well. Loring Control System (LCS) v2 is required.

8. Do I need a service technician to install the upgrade kit?

A qualified service technician may be necessary, as mechanical skills and electrical work is needed.

9. How much does the auto gate cost?

Please contact your local distributor or sales rep for pricing information. You may also contact Loring Smart Roast: +1-707-526-7215, www.loring.com, info@loring.com

Ordering Information

Description	Part Number
S70 / D70 Combined Auto Gate kit	1008241
S70 Peregrine (roaster only) Auto Gate kit	1005934
D70 (destoner only) Auto Gate kit	1005935