

TABLE 1, MAXIMUM WEIGHTS, LB (KG)	
ROASTER	3698 (1677)
JACOBS TUBING 45°	+21 +(9.5)
GREEN BEAN CART	+147 +(66.7)

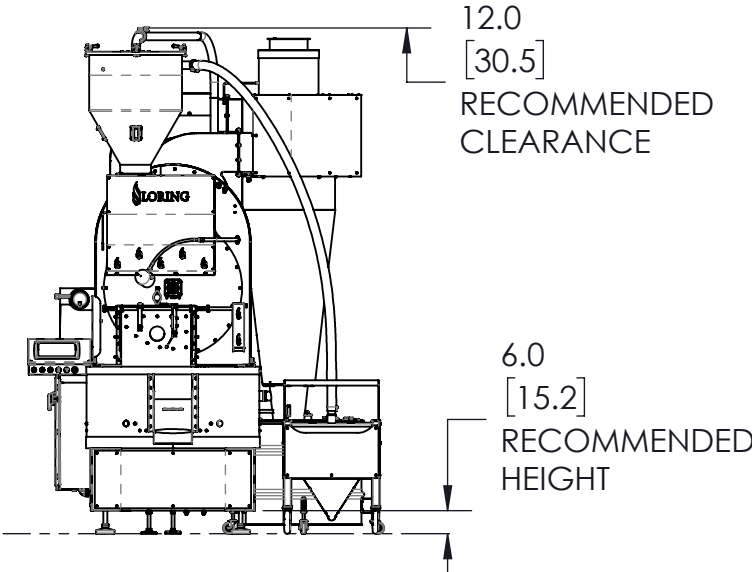
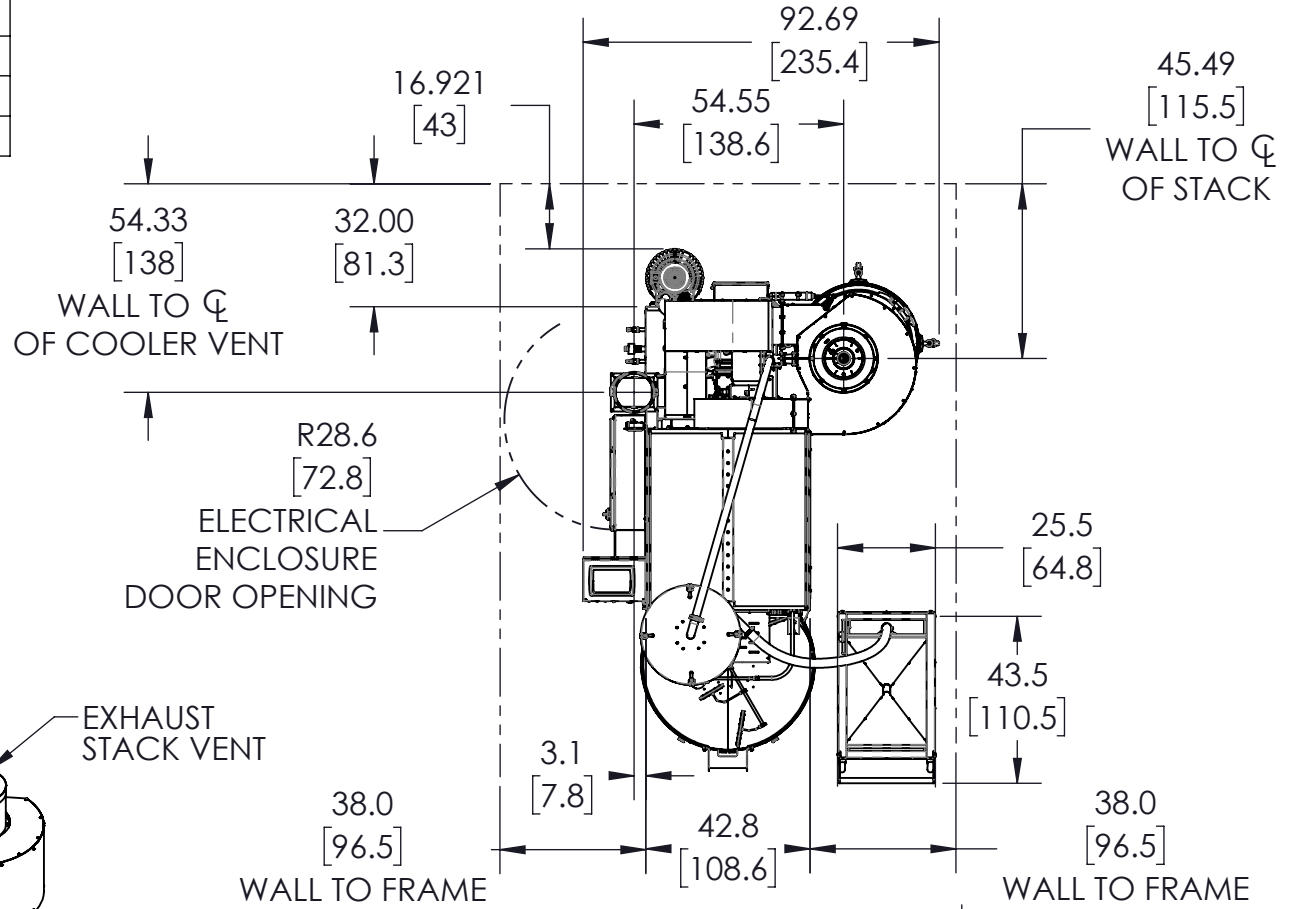
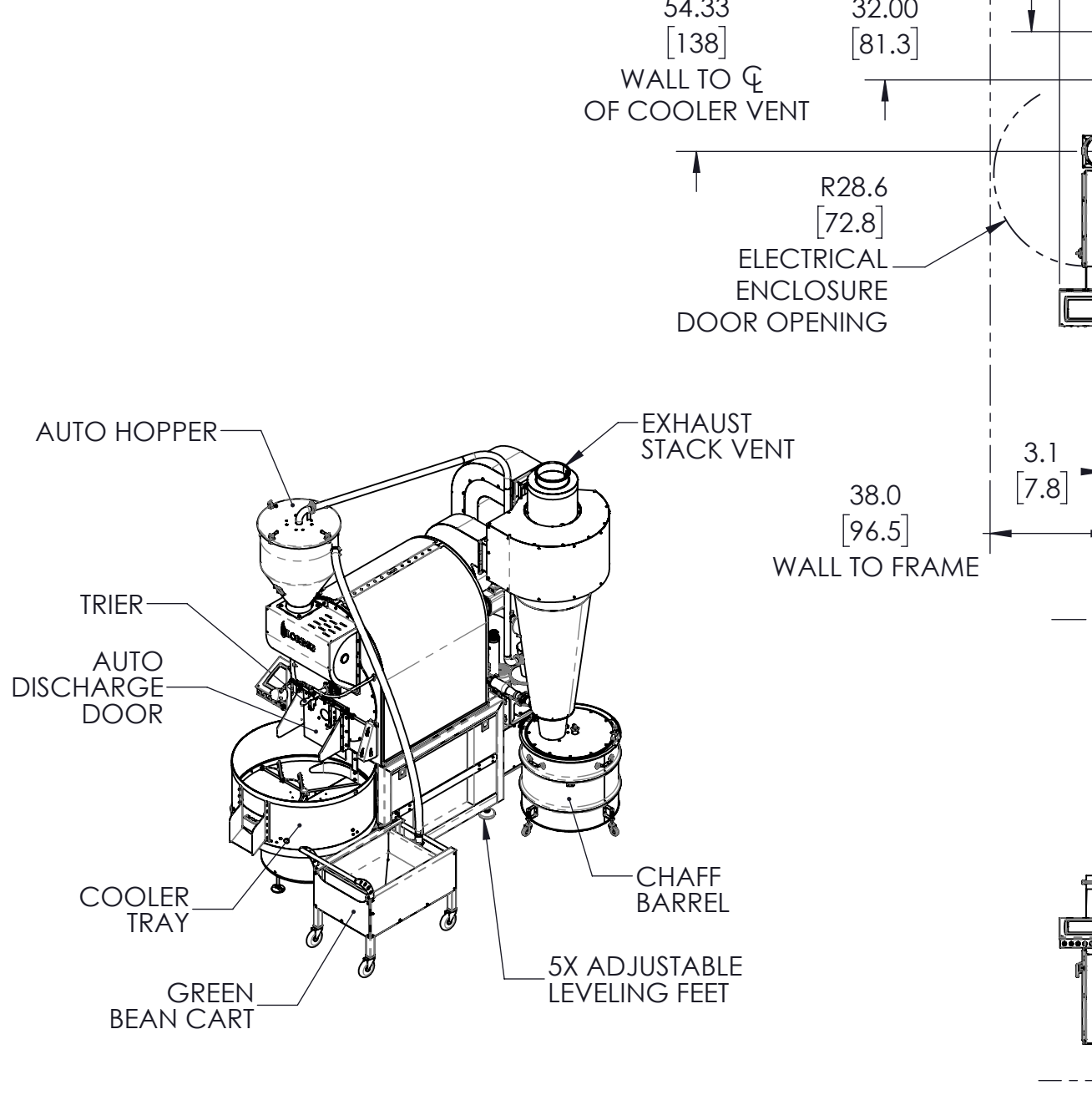
REVISION HISTORY				
ZONE	REV.	DESCRIPTION	DATE	APPROVED
	A	INITIAL RELEASE	5/11/2016	
	B	ECO 2103: UPDATE OF MODEL	5/11/2016	J. ALLEY

D

C

B

A



NOTES (UNLESS OTHERWISE SPECIFIED):

- 3D CAD FILES AVAILABLE UPON REQUEST.
 - REFER TO INSTALLATION DOCUMENTATION FOR UTILITY REQUIREMENTS AND OTHER SPECIFICATIONS
 - REFER TO TABLE 1 FOR THE ROASTER MAXIMUM WEIGHT. ACTUAL WEIGHT DEPENDS ON SPECIFIC ROASTER MODEL NUMBER.
- ④ DIMENSION WILL CHANGE BASED ON ADJUSTABLE FOOT SETTING
 ⑤ LIFT ROASTER IN THESE AREAS ONLY
 ⑥ ROASTER MINIMUM DIMENSIONS FOR INITIAL FITMENT TO FINAL POSITION ARE LOCATED ON SHEET 4

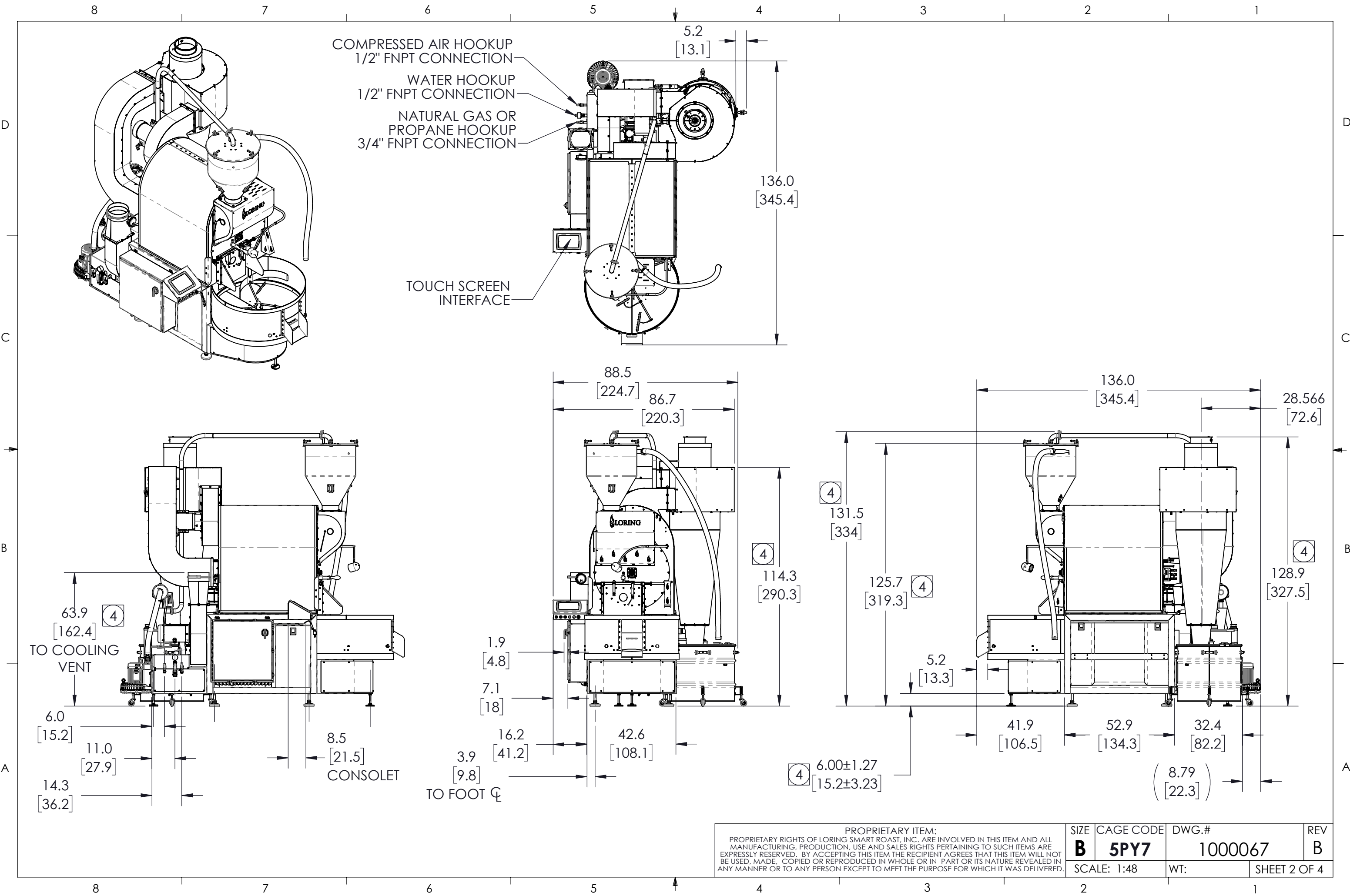
TOLERANCES		NAME	DATE
ALL DIMENSIONS ARE IN INCHES		C O'HARE	8/05/2014
UNLESS OTHERWISE NOTED:			
DECIMALS:	ANGLES:		
.X ±.060	±0.5°		
.XX ±.010			
.XXX ±.005			
FRACTIONS:			
	±1/8"		
SURFACE TEXTURE:			
THIRD ANGLE PROJECTION			
MATERIAL	SEE ITEM LIST		
FINISH	SEE NOTE		

PROPRIETARY ITEM:
 PROPRIETARY RIGHTS OF LORING SMART ROAST, INC. ARE INVOLVED IN THIS ITEM AND ALL MANUFACTURING, PRODUCTION, USE AND SALES RIGHTS PERTAINING TO SUCH ITEMS ARE EXPRESSLY RESERVED. BY ACCEPTING THIS ITEM THE RECIPIENT AGREES THAT THIS ITEM WILL NOT BE USED, MADE, COPIED OR REPRODUCED IN WHOLE OR IN PART OR ITS NATURE REVEALED IN ANY MANNER OR TO ANY PERSON EXCEPT TO MEET THE PURPOSE FOR WHICH IT WAS DELIVERED.

LORING SMART ROAST, INC
 3200 DUTTON AVENUE, SUITE 413
 SANTA ROSA, CA 95407-5736

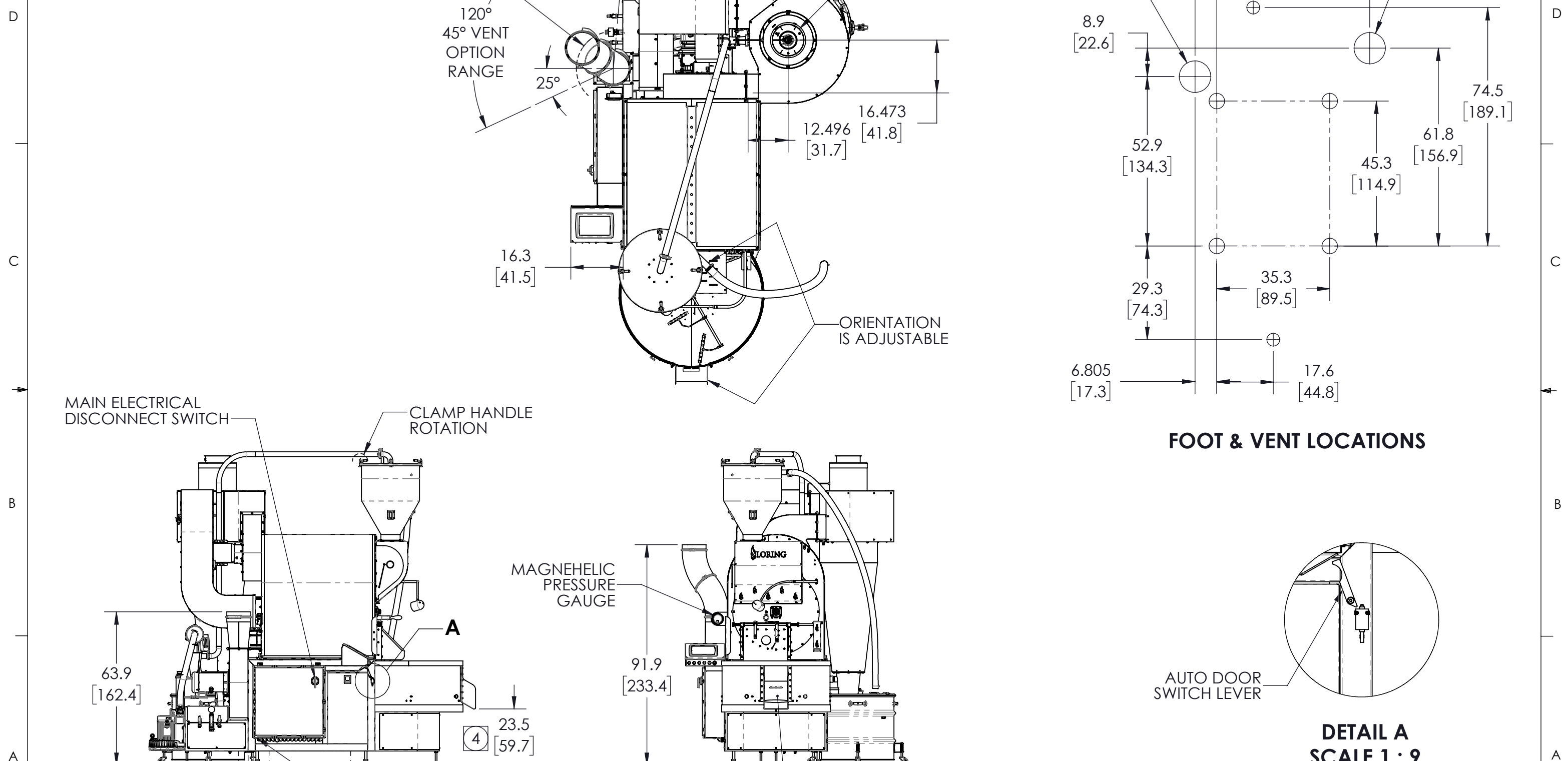
MECHANICAL INTERFACE CONTROL DRAWING, S70

SIZE	CAGE CODE	DWG.#	REV
B	5PY7	1000067	B
SCALE: 1:48		WT:	SHEET 1 OF 4



PROPRIETARY ITEM: PROPRIETARY RIGHTS OF LORING SMART ROAST, INC. ARE INVOLVED IN THIS ITEM AND ALL MANUFACTURING, PRODUCTION, USE AND SALES RIGHTS PERTAINING TO SUCH ITEMS ARE EXPRESSLY RESERVED. BY ACCEPTING THIS ITEM THE RECIPIENT AGREES THAT THIS ITEM WILL NOT BE USED, MADE, COPIED OR REPRODUCED IN WHOLE OR IN PART OR ITS NATURE REVEALED IN ANY MANNER OR TO ANY PERSON EXCEPT TO MEET THE PURPOSE FOR WHICH IT WAS DELIVERED.				SIZE B	CAGE CODE 5PY7	DWG.# 1000067	REV B
SCALE: 1:48		WT:	SHEET 2 OF 4				

8 7 6 5 4 3 2 1



FOOT & VENT LOCATIONS

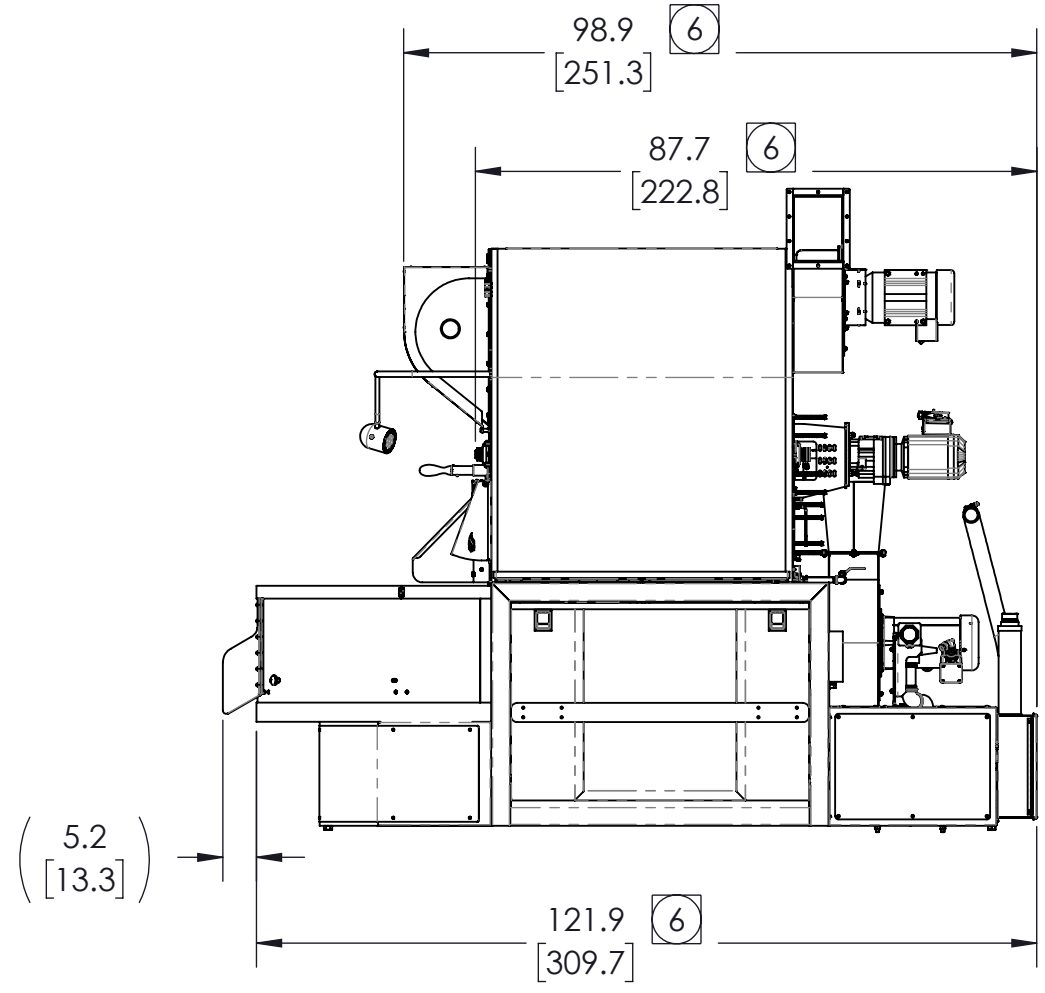
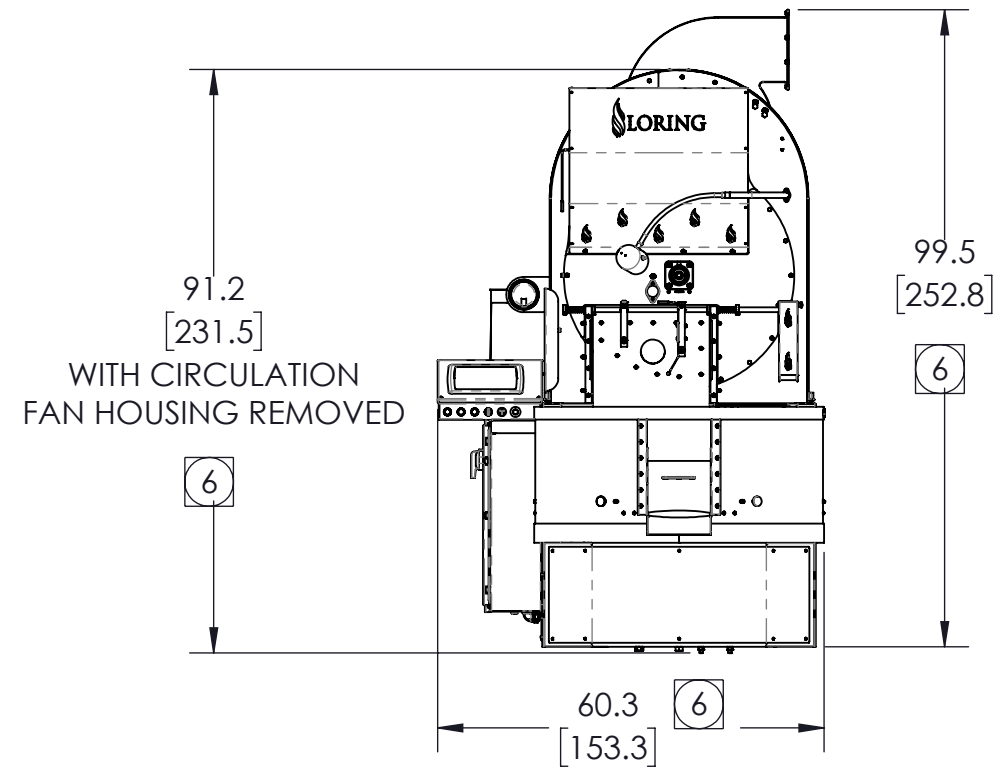
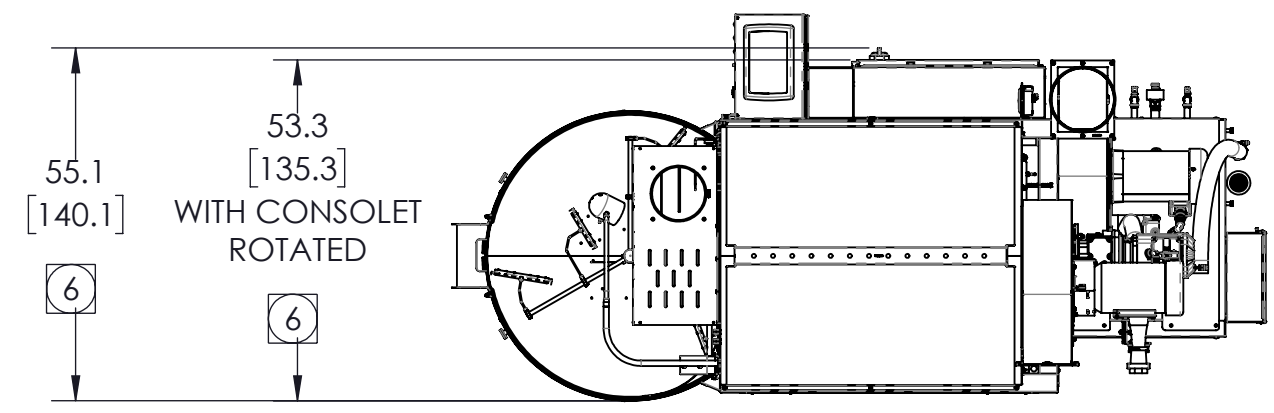
PROPRIETARY ITEM: PROPRIETARY RIGHTS OF LORING SMART ROAST, INC. ARE INVOLVED IN THIS ITEM AND ALL MANUFACTURING, PRODUCTION, USE AND SALES RIGHTS PERTAINING TO SUCH ITEMS ARE EXPRESSLY RESERVED. BY ACCEPTING THIS ITEM THE RECIPIENT AGREES THAT THIS ITEM WILL NOT BE USED, MADE, COPIED OR REPRODUCED IN WHOLE OR IN PART OR ITS NATURE REVEALED IN ANY MANNER OR TO ANY PERSON EXCEPT TO MEET THE PURPOSE FOR WHICH IT WAS DELIVERED.			
SIZE	CAGE CODE	DWG.#	REV
B	5PY7	1003005	B
SCALE: 1:48		WT:	SHEET 3 OF 4

8 7 6 5 4 3 2 1

8 7 6 5 4 3 2 1

D
C
B
A

D
C
B
A



**SHOWN WITHOUT LEVELING FEET, CYCLONE,
AIR SUPPLY DUCT, HOPPER AND AUTO HOPPER BLOWER**

<small>PROPRIETARY RIGHTS OF LORING SMART ROAST, INC. ARE INVOLVED IN THIS ITEM AND ALL MANUFACTURING, PRODUCTION, USE AND SALES RIGHTS PERTAINING TO SUCH ITEMS ARE EXPRESSLY RESERVED. BY ACCEPTING THIS ITEM THE RECIPIENT AGREES THAT THIS ITEM WILL NOT BE USED, MADE, COPIED OR REPRODUCED IN WHOLE OR IN PART OR ITS NATURE REVEALED IN ANY MANNER OR TO ANY PERSON EXCEPT TO MEET THE PURPOSE FOR WHICH IT WAS DELIVERED.</small>		<small>PROPRIETARY ITEM:</small> SIZE B	<small>CAGE CODE</small> 5PY7	<small>DWG.#</small> 1000067	<small>REV</small> B
<small>SCALE: 1:48</small>		<small>WT:</small>	<small>SHEET 4 OF 4</small>		

8 7 6 5 4 3 2 1