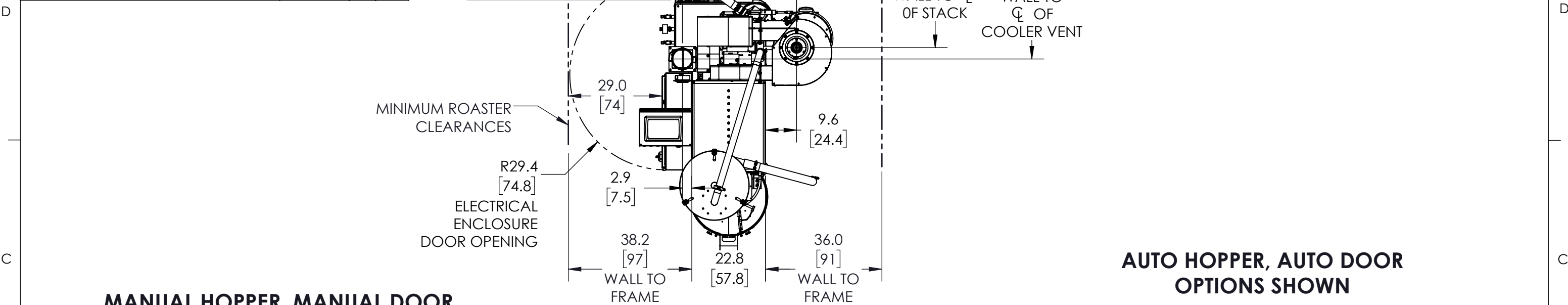
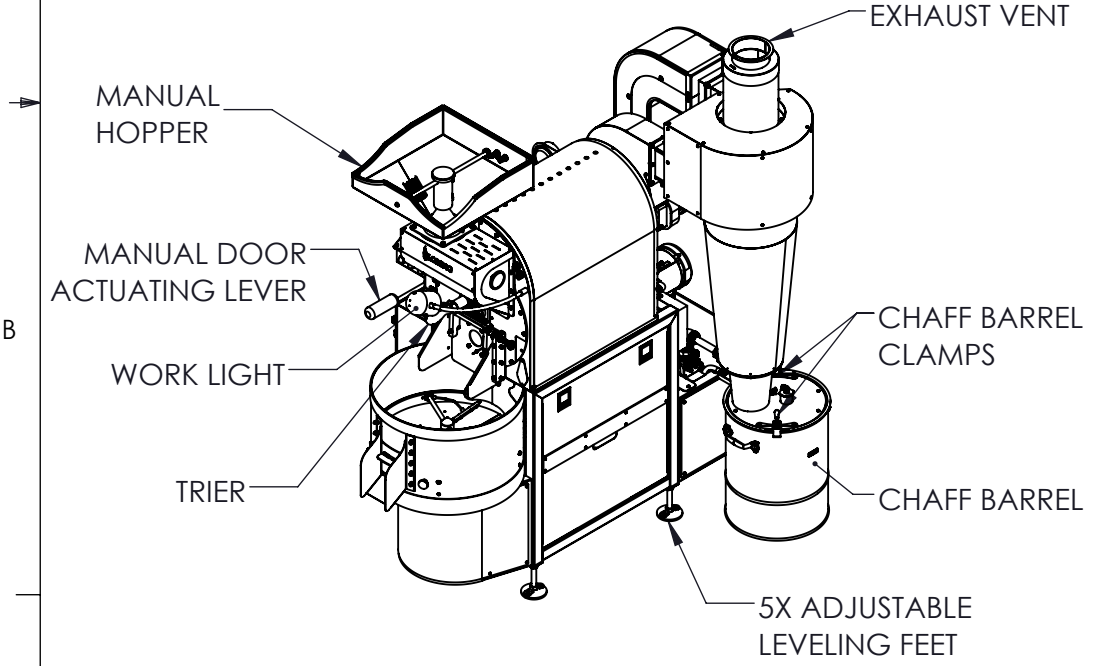


TABLE 1, MAXIMUM WEIGHTS, LB (KG)	
MANUAL HOPPER, MANUAL DOOR (SHOWN)	1400 (635)
AUTO DOOR	+0 (0)
AUTO HOPPER	+137.6 (62.4)
JACOBS TUBING 45°	+7.8 (3.5)

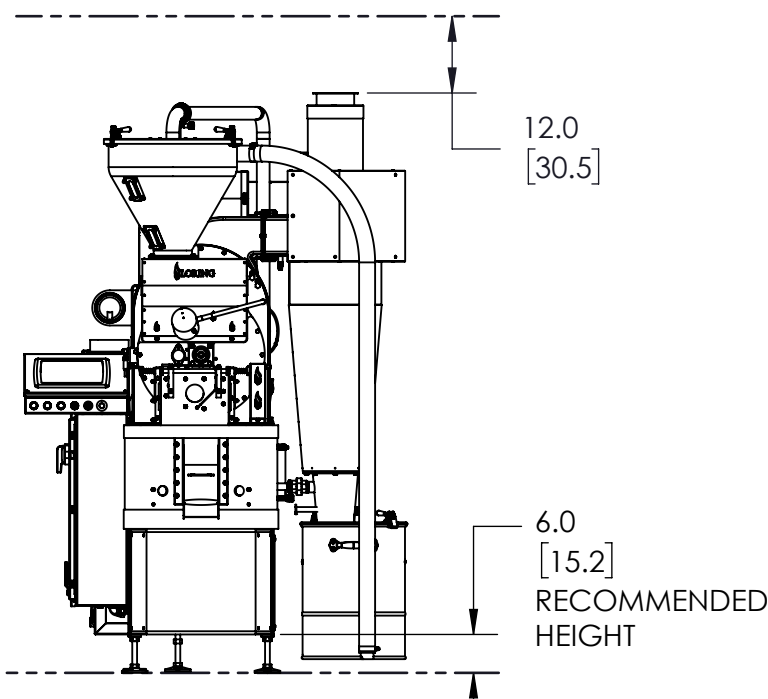
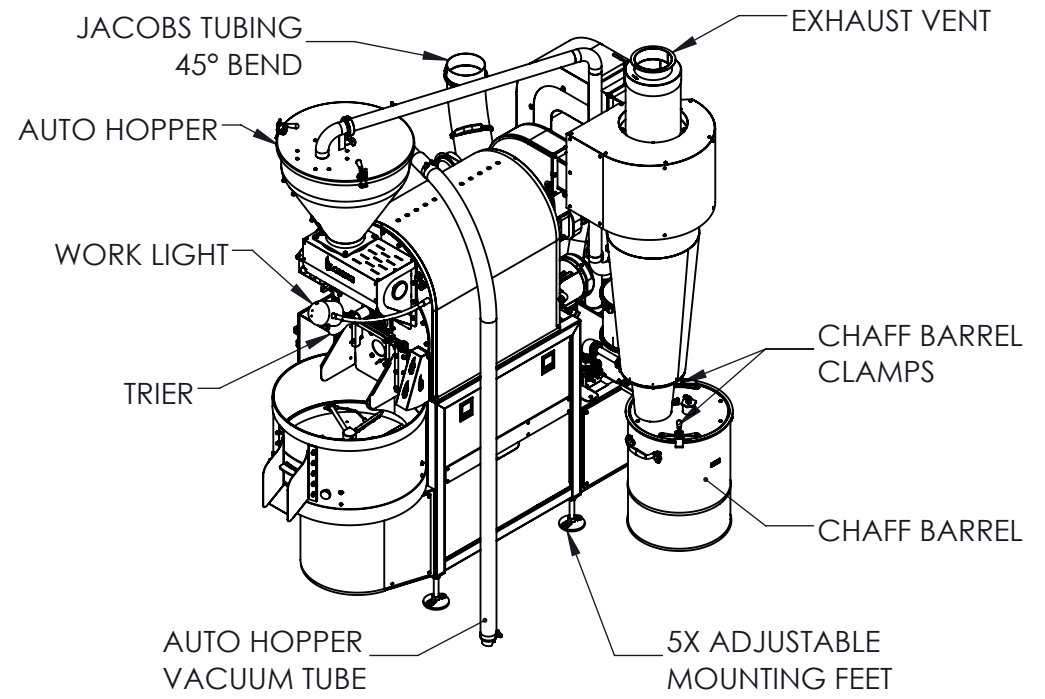
REVISION HISTORY				
ZONE	REV.	DESCRIPTION	DATE	APPROVED
	A	INITIAL	8/1/2013	
ALL	B	PRODUCTION RELEASE, ADD SEVERAL DIMENSIONS	3/7/2014	J. HUTTON
	C	ECO 2089: UPDATE OF WEIGHT TABLE	4/21/2016	J. ALLEY



MANUAL HOPPER, MANUAL DOOR OPTIONS SHOWN



AUTO HOPPER, AUTO DOOR OPTIONS SHOWN



NOTES (UNLESS OTHERWISE SPECIFIED):

- 3D CAD FILES AVAILABLE UPON REQUEST.
- REFER TO INSTALLATION DOCUMENTATION FOR UTILITY REQUIREMENTS AND OTHER SPECIFICATIONS.
- ROASTER MINIMUM DIMENSIONS FOR INITIAL FITMENT TO FINAL POSITION ARE LOCATED ON SHEET 4.
- REFER TO TABLE 1 FOR THE ROASTER MAXIMUM WEIGHT. ACTUAL WEIGHT DEPENDS ON SPECIFIC ROASTER MODEL NUMBER.
- IF FLAGGED, DIMENSIONS ARE SPECIFIC TO EXACT MODEL NUMBER. ALL OTHER DIMENSIONS APPLY TO ALL MODEL NUMBERS.

TOLERANCES		NAME	DATE
ALL DIMENSIONS ARE IN INCHES [CENTIMETERS] UNLESS OTHERWISE NOTED:		DRAWN	C O'HARE 8/1/2013
DECIMALS: .X ±.060 .XX ±.010 .XXX ±.005 FRACTIONS: ±1/8"		CHECKED	J HUTTON 8/1/2013
ANGLES: ±0.5°		ENG APPR.	ON FILE
SURFACE TEXTURE:		MFG APPR.	ON FILE
THIRD ANGLE PROJECTION		CHANGELIST	
		MATERIAL	SEE ITEM LIST
		FINISH	SEE NOTE

PROPRIETARY ITEM: PROPRIETARY RIGHTS OF LORING SMART ROAST, INC. ARE INVOLVED IN THIS ITEM AND ALL MANUFACTURING, PRODUCTION, USE AND SALES RIGHTS PERTAINING TO SUCH ITEMS ARE EXPRESSLY RESERVED. BY ACCEPTING THIS ITEM THE RECIPIENT AGREES THAT THIS ITEM WILL NOT BE USED, MADE, COPIED OR REPRODUCED IN WHOLE OR IN PART OR ITS NATURE REVEALED IN ANY MANNER OR TO ANY PERSON EXCEPT TO MEET THE PURPOSE FOR WHICH IT WAS DELIVERED.

LORING SMART ROAST, INC
 3200 DUTTON AVENUE, SUITE 413
 SANTA ROSA, CA 95407-5736

MECHANICAL INTERFACE CONTROL DRAWING, S15

SIZE	CAGE CODE	DWG.#	REV
B	5PY7	1000068	C
SCALE: 1:64		WT:	SHEET 1 OF 4

8 7 6 5 4 3 2 1

D

C

B

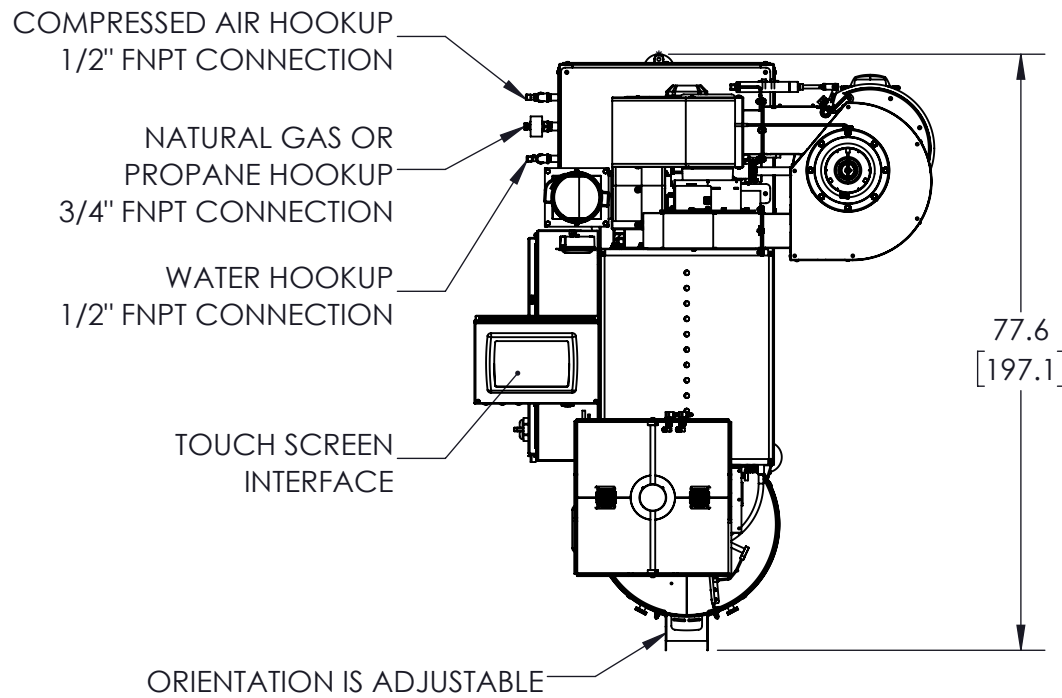
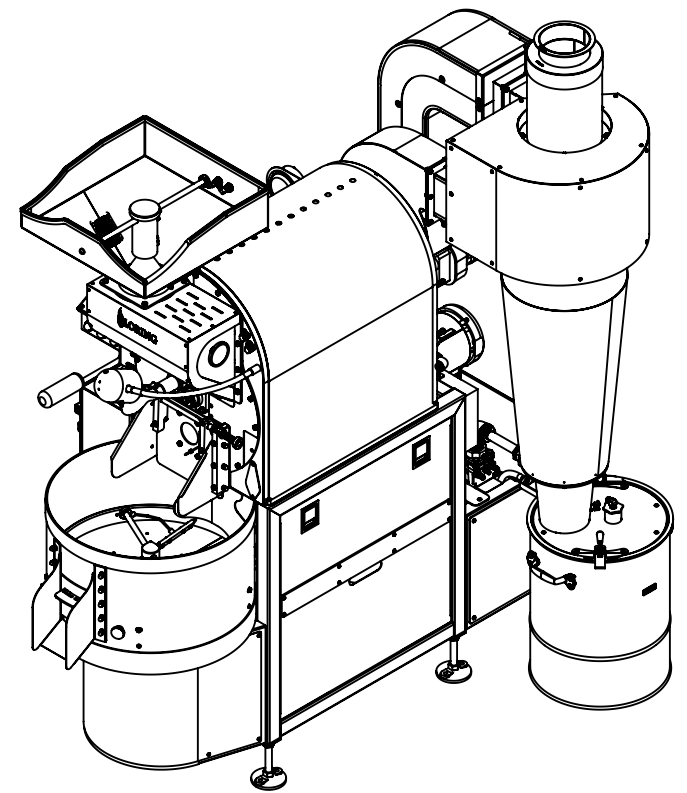
A

D

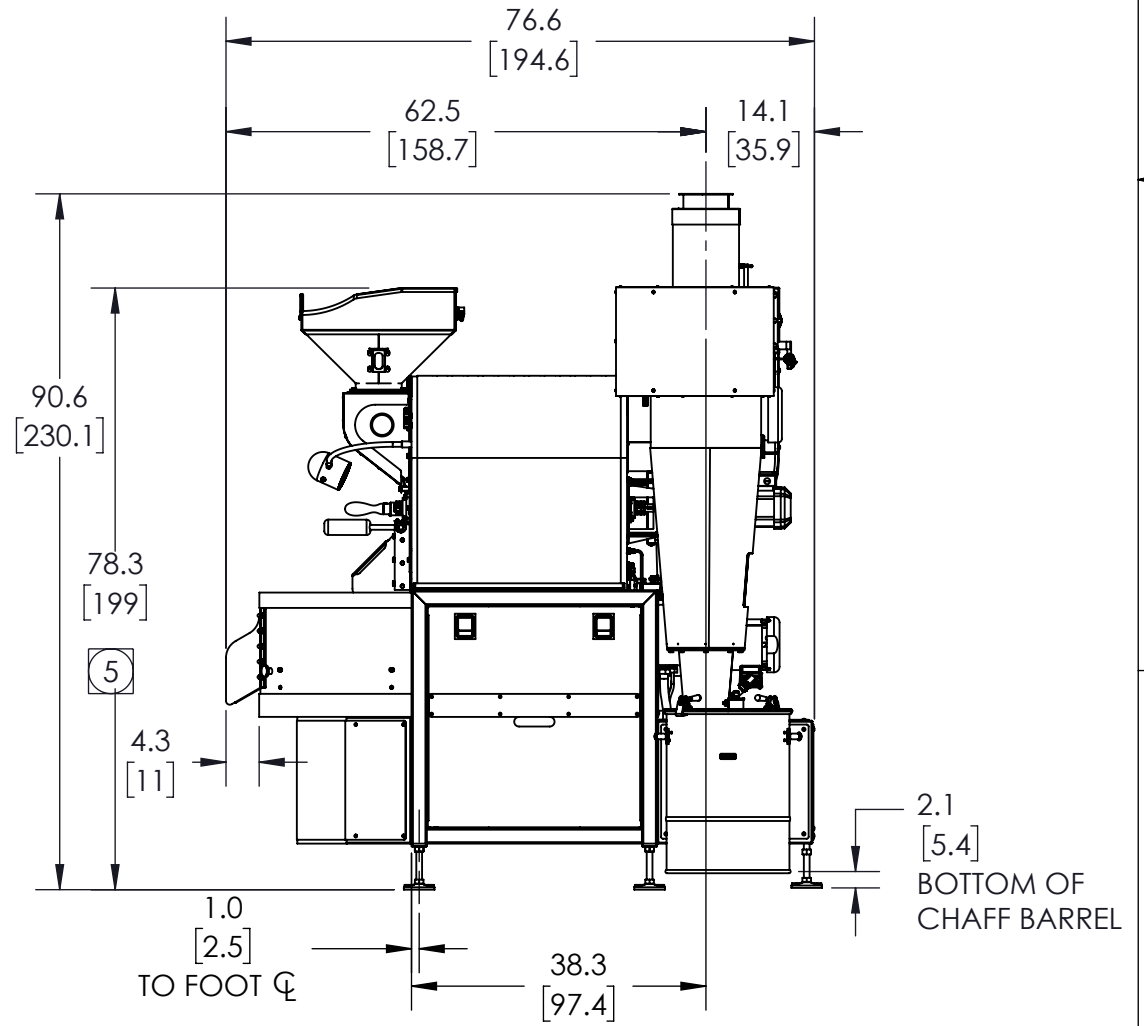
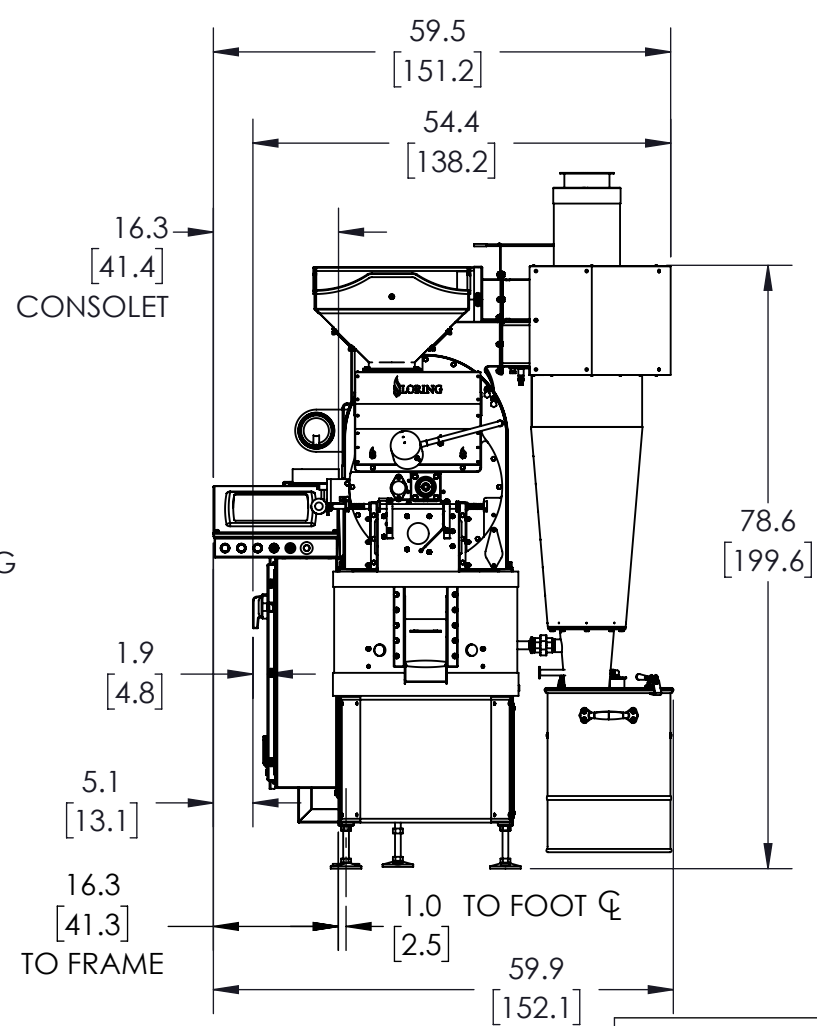
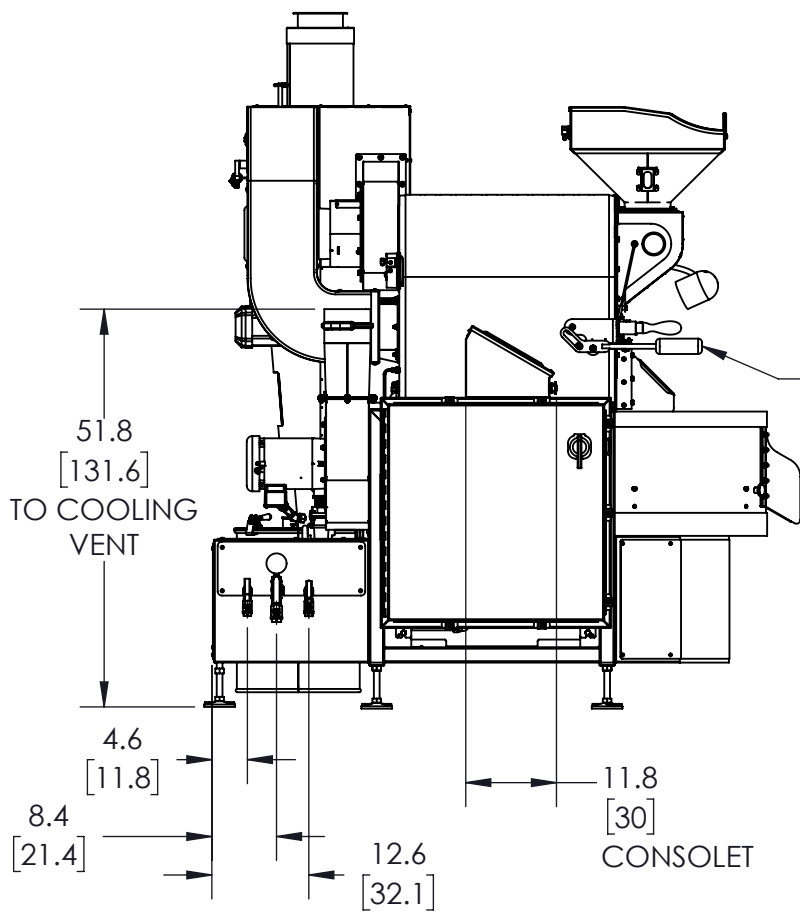
C

B

A



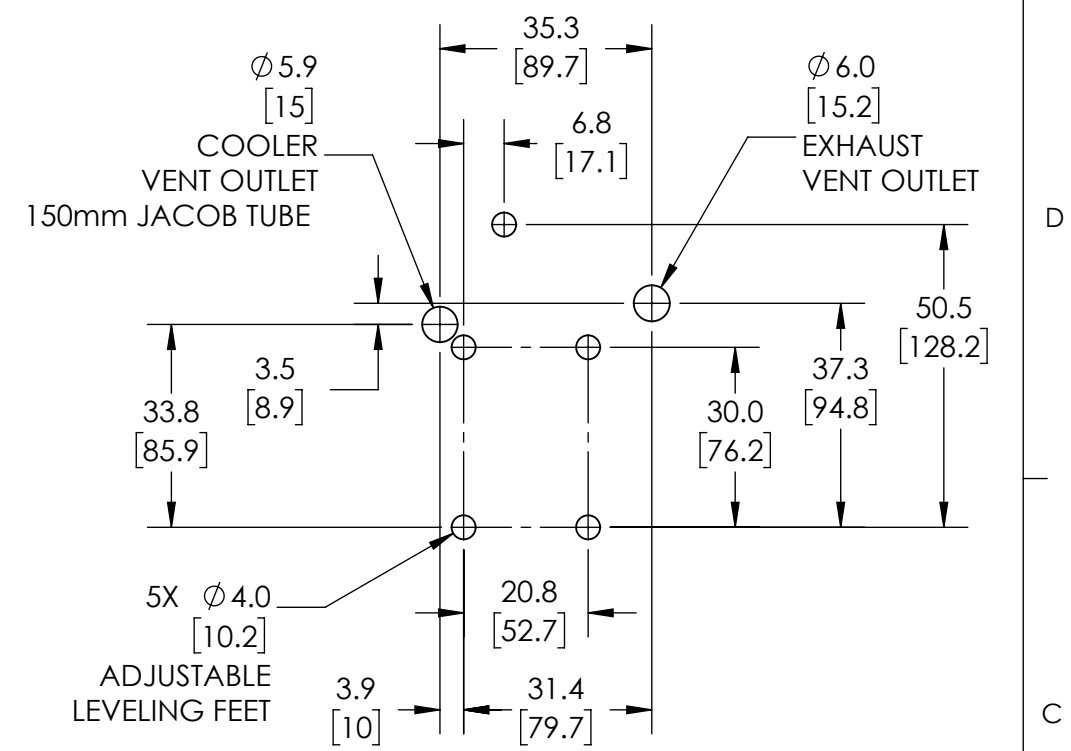
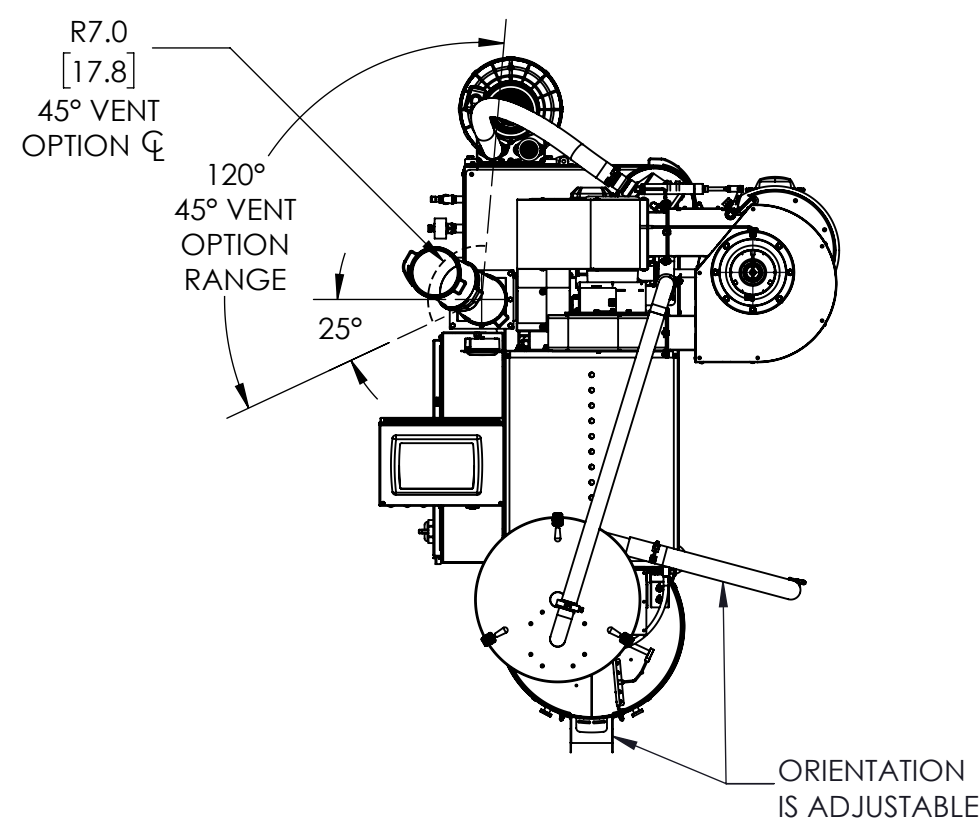
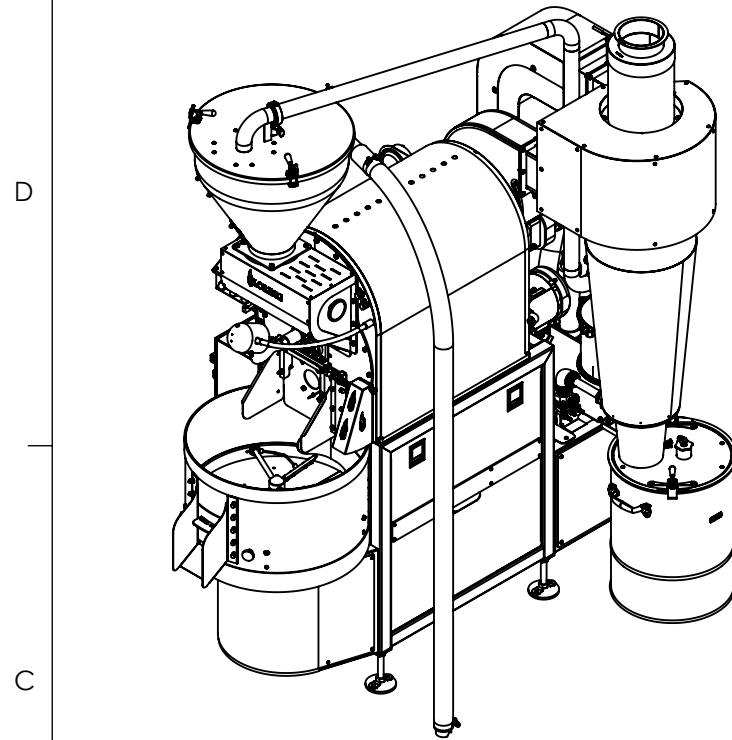
**MANUAL HOPPER, MANUAL DOOR
CONFIGURATION SHOWN**



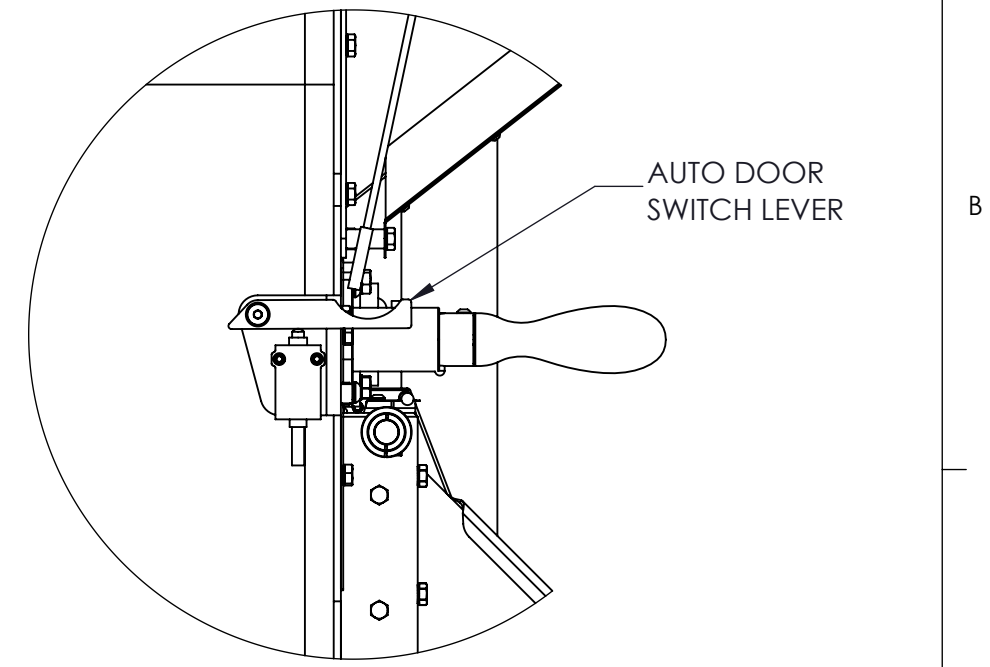
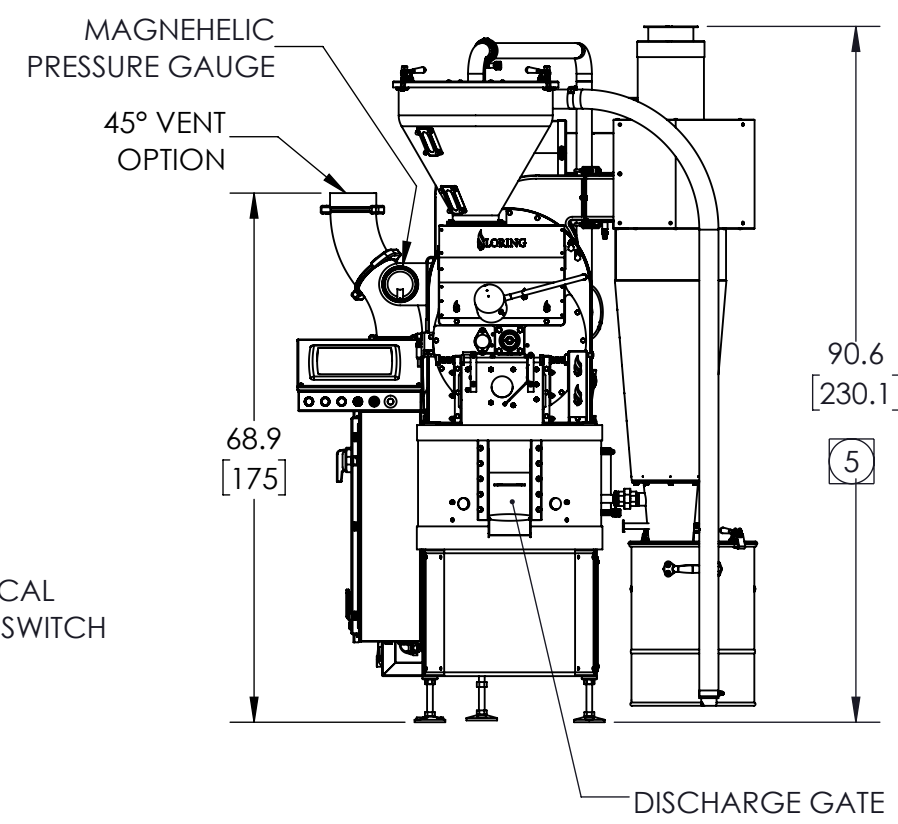
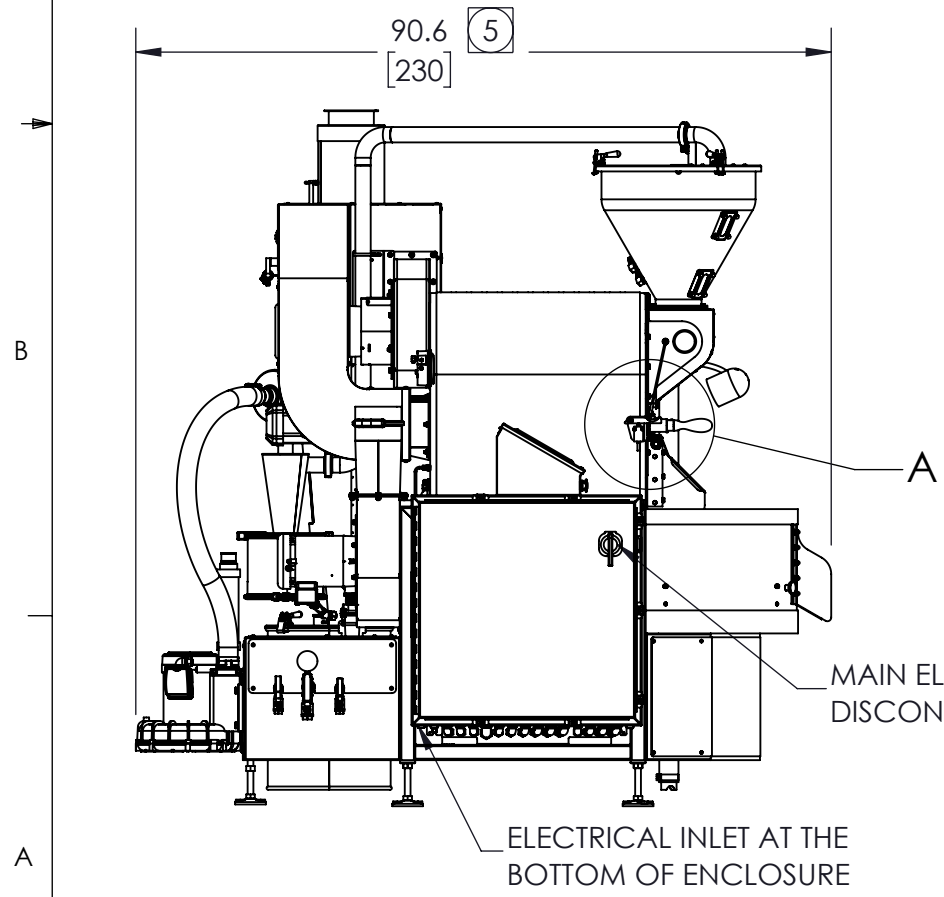
PROPRIETARY ITEM: PROPRIETARY RIGHTS OF LORING SMART ROAST, INC. ARE INVOLVED IN THIS ITEM AND ALL MANUFACTURING, PRODUCTION, USE AND SALES RIGHTS PERTAINING TO SUCH ITEMS ARE EXPRESSLY RESERVED. BY ACCEPTING THIS ITEM THE RECIPIENT AGREES THAT THIS ITEM WILL NOT BE USED, MADE, COPIED OR REPRODUCED IN WHOLE OR IN PART OR ITS NATURE REVEALED IN ANY MANNER OR TO ANY PERSON EXCEPT TO MEET THE PURPOSE FOR WHICH IT WAS DELIVERED.		SIZE B	CAGE CODE 5PY7	DWG.# 1000068	REV C
SCALE: 1:32		WT:		SHEET 2 OF 4	

8 7 6 5 4 3 2 1

8 7 6 5 4 3 2 1



**FOOT & VENT LOCATIONS
TOP VIEW**



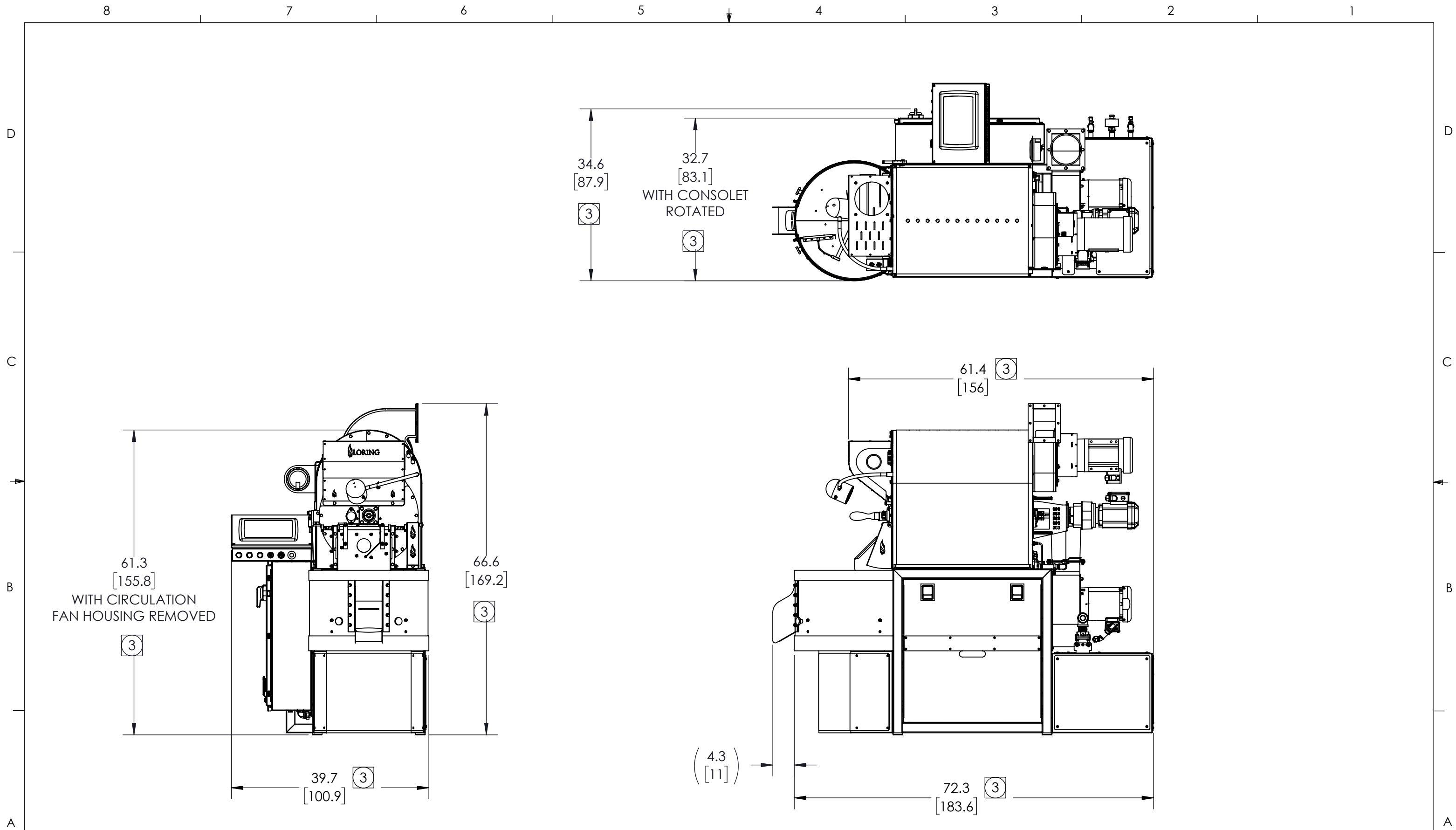
**DETAIL A
SCALE 1 : 5**

**AUTO HOPPER, AUTO DOOR
OPTIONS SHOWN**

PROPRIETARY ITEM:
 PROPRIETARY RIGHTS OF LORING SMART ROAST, INC. ARE INVOLVED IN THIS ITEM AND ALL
 MANUFACTURING, PRODUCTION, USE AND SALES RIGHTS PERTAINING TO SUCH ITEMS ARE
 EXPRESSLY RESERVED. BY ACCEPTING THIS ITEM THE RECIPIENT AGREES THAT THIS ITEM WILL NOT
 BE USED, MADE, COPIED OR REPRODUCED IN WHOLE OR IN PART OR ITS NATURE REVEALED IN
 ANY MANNER OR TO ANY PERSON EXCEPT TO MEET THE PURPOSE FOR WHICH IT WAS DELIVERED.

SIZE	CAGE CODE	DWG.#	REV
B	5PY7	1000068	C
SCALE: 1:32		SHEET 3 OF 4	

8 7 6 5 4 3 2 1



**SHOWN WITHOUT LEVELING FEET, CYCLONE,
AIR SUPPLY DUCT, HOPPER AND AUTO HOPPER BLOWER**

PROPRIETARY ITEM: PROPRIETARY RIGHTS OF LORING SMART ROAST, INC. ARE INVOLVED IN THIS ITEM AND ALL MANUFACTURING, PRODUCTION, USE AND SALES RIGHTS PERTAINING TO SUCH ITEMS ARE EXPRESSLY RESERVED. BY ACCEPTING THIS ITEM THE RECIPIENT AGREES THAT THIS ITEM WILL NOT BE USED, MADE, COPIED OR REPRODUCED IN WHOLE OR IN PART OR ITS NATURE REVEALED IN ANY MANNER OR TO ANY PERSON EXCEPT TO MEET THE PURPOSE FOR WHICH IT WAS DELIVERED.		SIZE B	CAGE CODE 5PY7	DWG.# 1000068	REV C
SCALE: 1:24			SHEET 4 OF 4		