

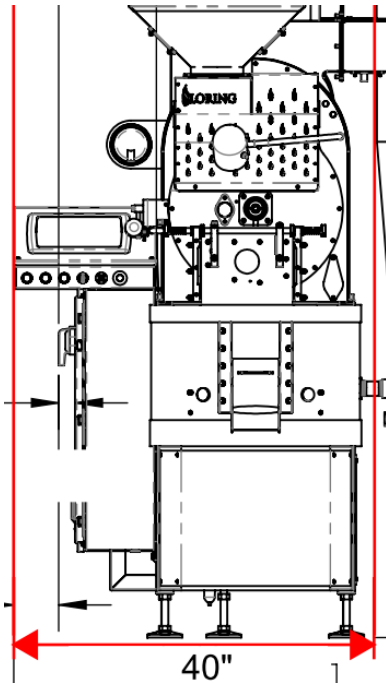
## Minimum Door Clearances

### S15 Falcon Door Clearance

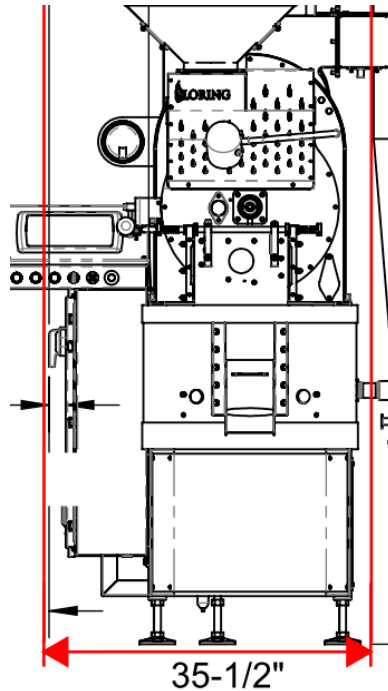
**Crate size:** 50" (127 cm) Wide, 91.5" (232.4 cm) High, 98" (249 cm) Long

**Standard assembly as it comes inside the crate is 67" high** (with no allowance for lifting device)

Width 40" wide with consolet in place.



Width 34" wide by unbolting and swinging the consolet out of the way.



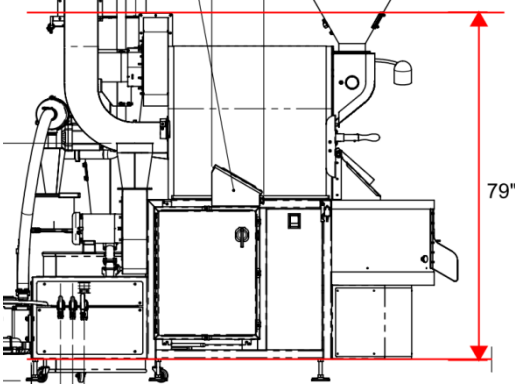
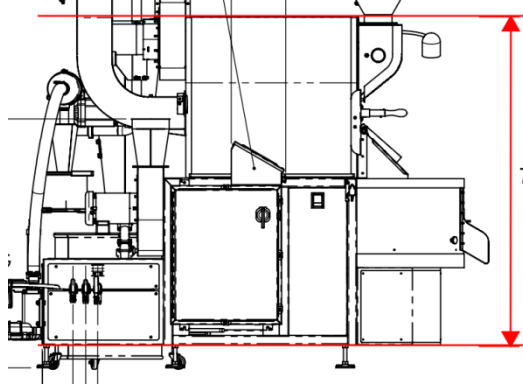
## S35 Kestrel Door Clearance

**Crates:**

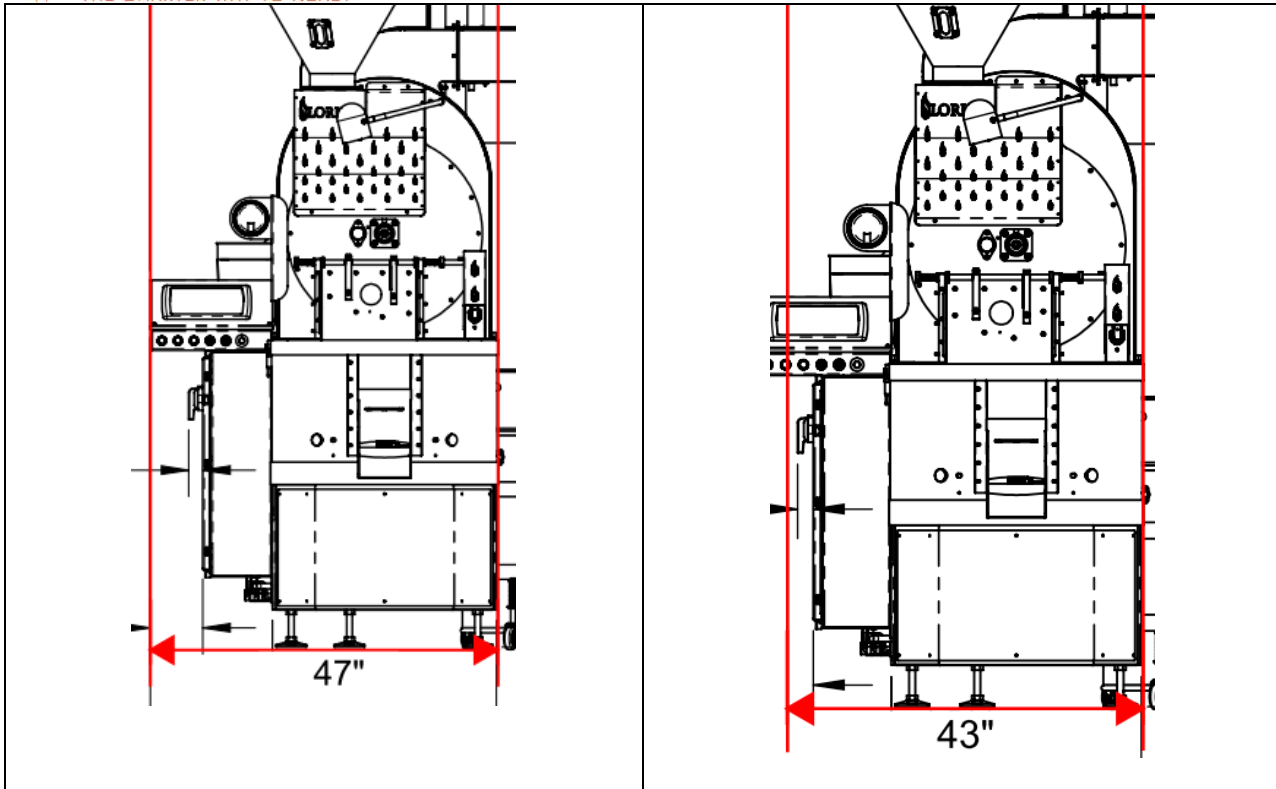
**Body Crate:** 50" (127 cm) Wide, 91.5" (232.4 cm) High, 98" (249 cm) Long

**Accessory Crate:** 40" (101.6 cm) Wide, 84" (123.4 cm) High, 88" (224 cm) Long

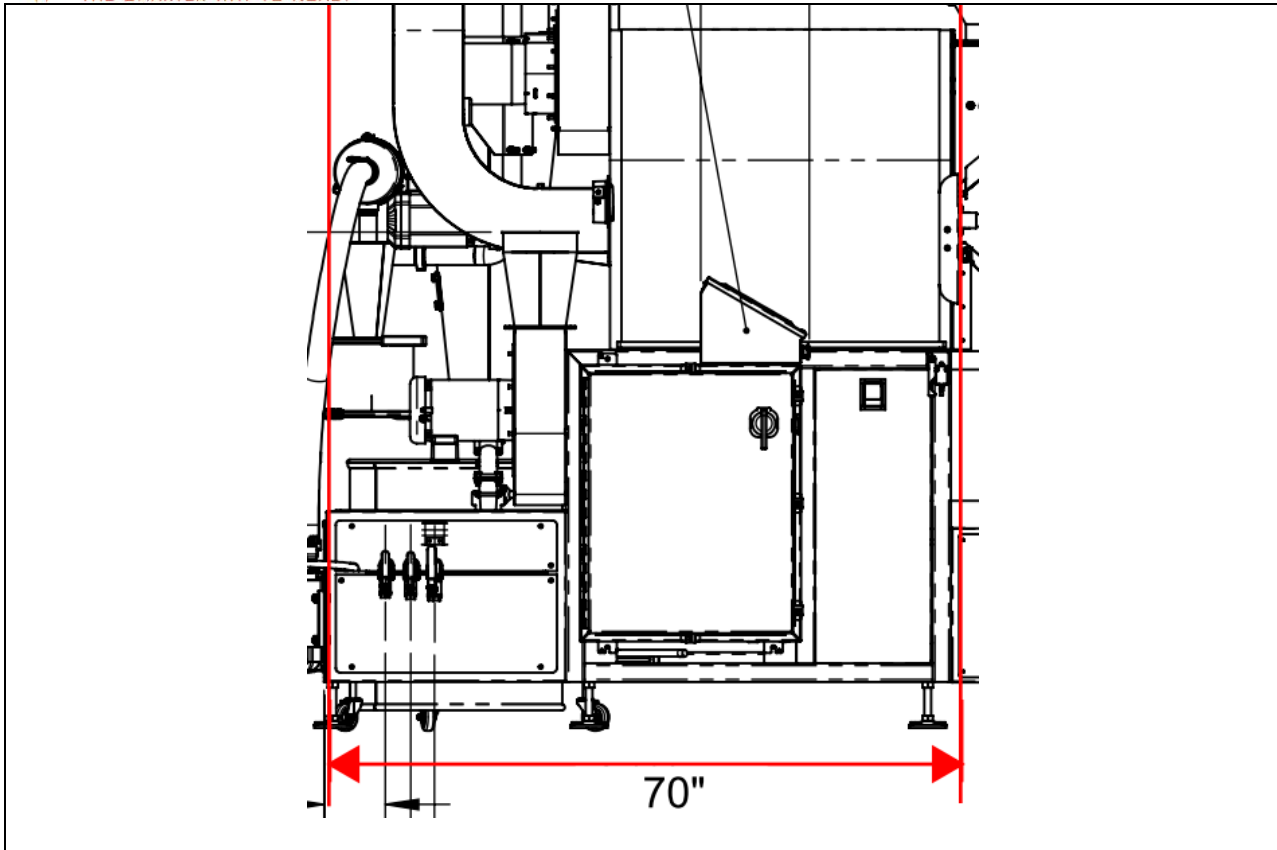
**Standard assembly as it comes inside the crate is 79" high** (with no allowance for lifting device)

<p>Standard assembly as it comes inside the crate is 79" high</p>	<p>Removing the Circulation Fan Housing is 71-1/2"</p>
	

<p>Width with Consolet in place is 47"</p>	<p>Width when unbolting consolet and rotating out of the way (not removing wiring) is 43"</p>
--------------------------------------------	-----------------------------------------------------------------------------------------------



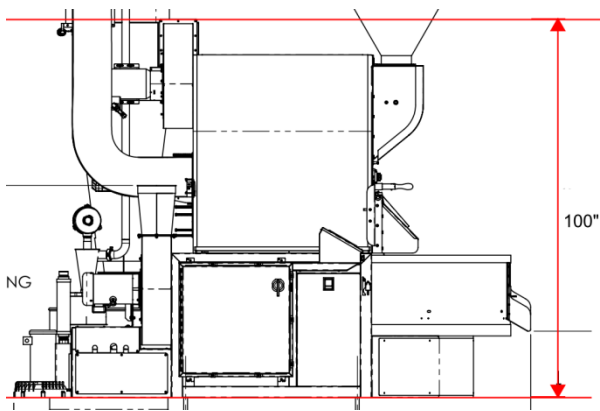
S35 - Depth with removing cooler tray, Plenum, Tryer Sleeve, Discharge Door parts and removing vacuum elevator motor (leaving front Bearing) is 70".



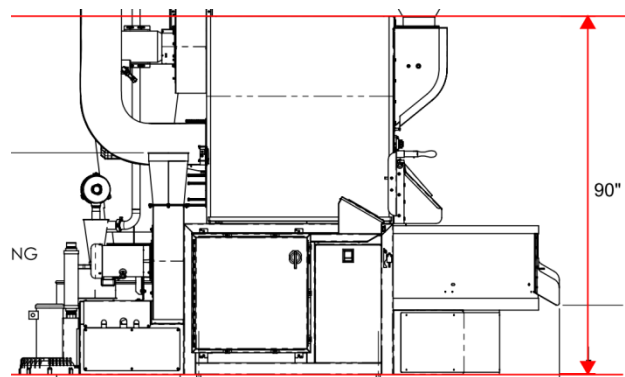
## S70 Peregrine Door Clearance

**Crates:** *information is coming*

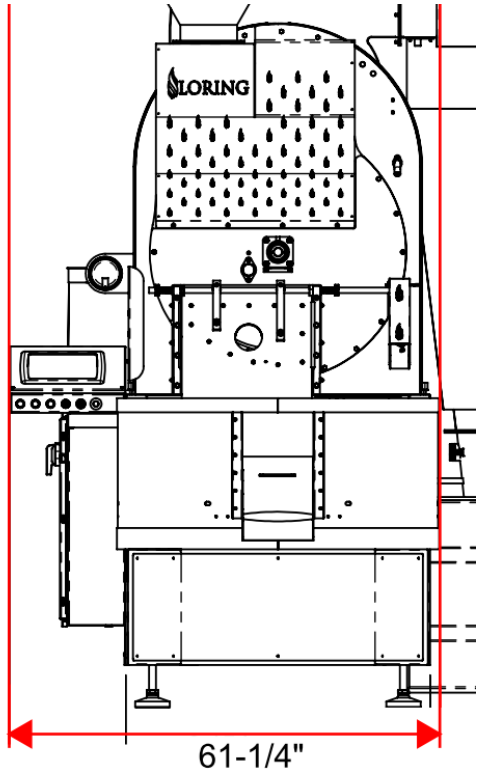
Standard Domestic assembly as it comes inside the crate is 100" high



Removing the Circulation Fan Housing is 90"



Width with Consolet in place is 61-1/4"



Width when unbolting consolet and rotating out of the way (not removing wiring) is 56"

