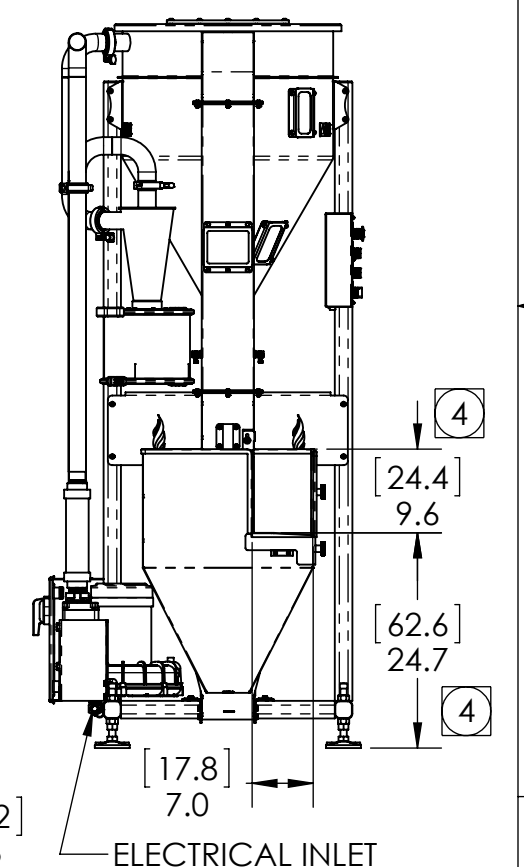
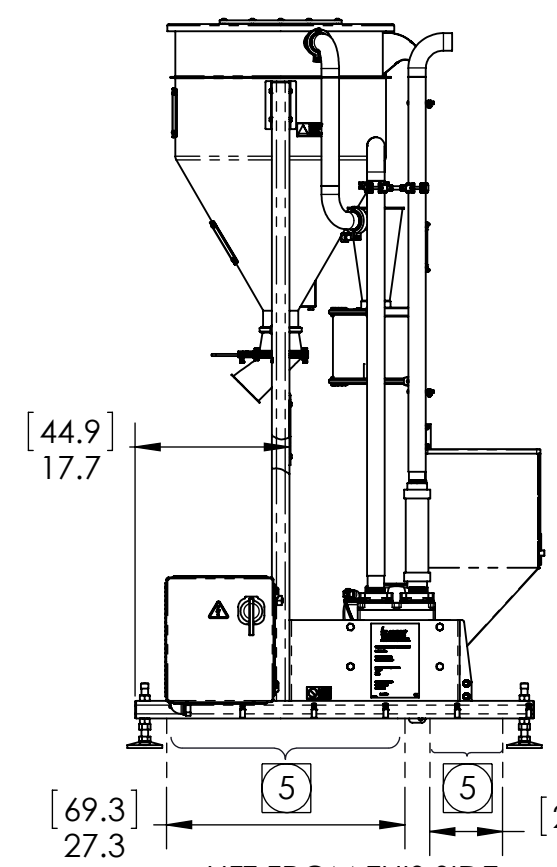
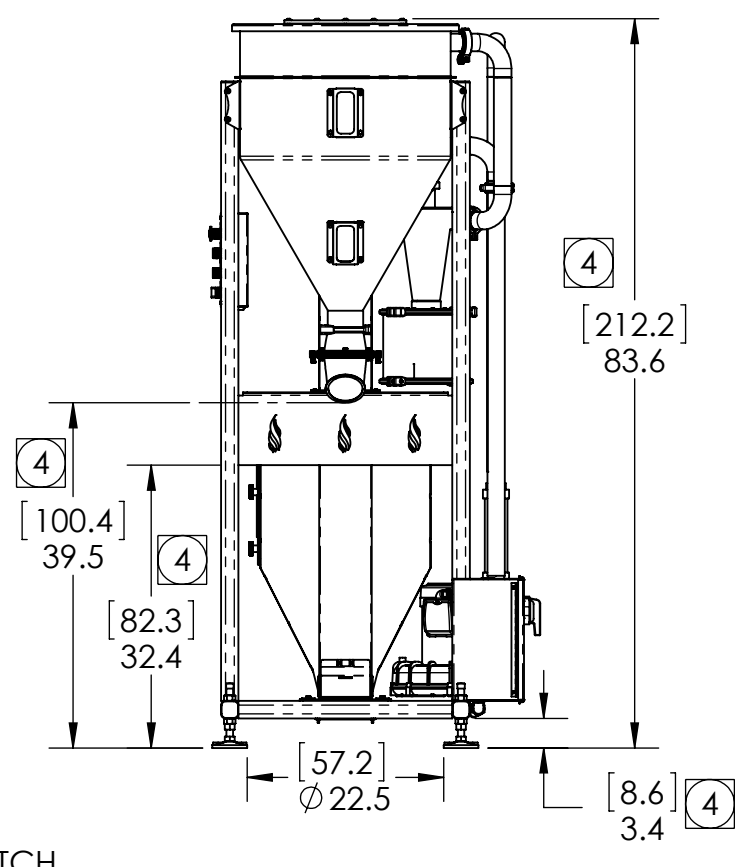
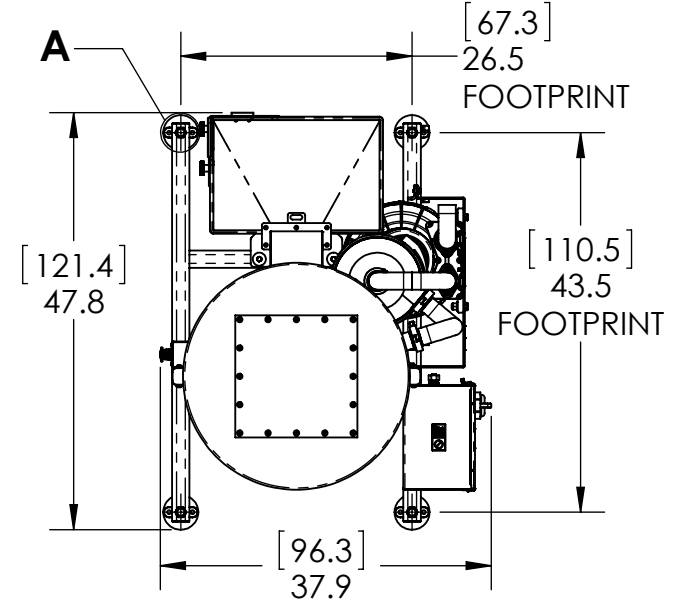
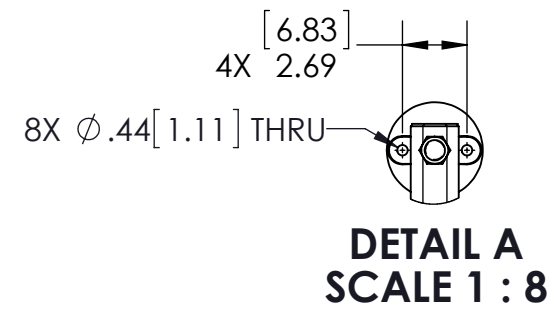
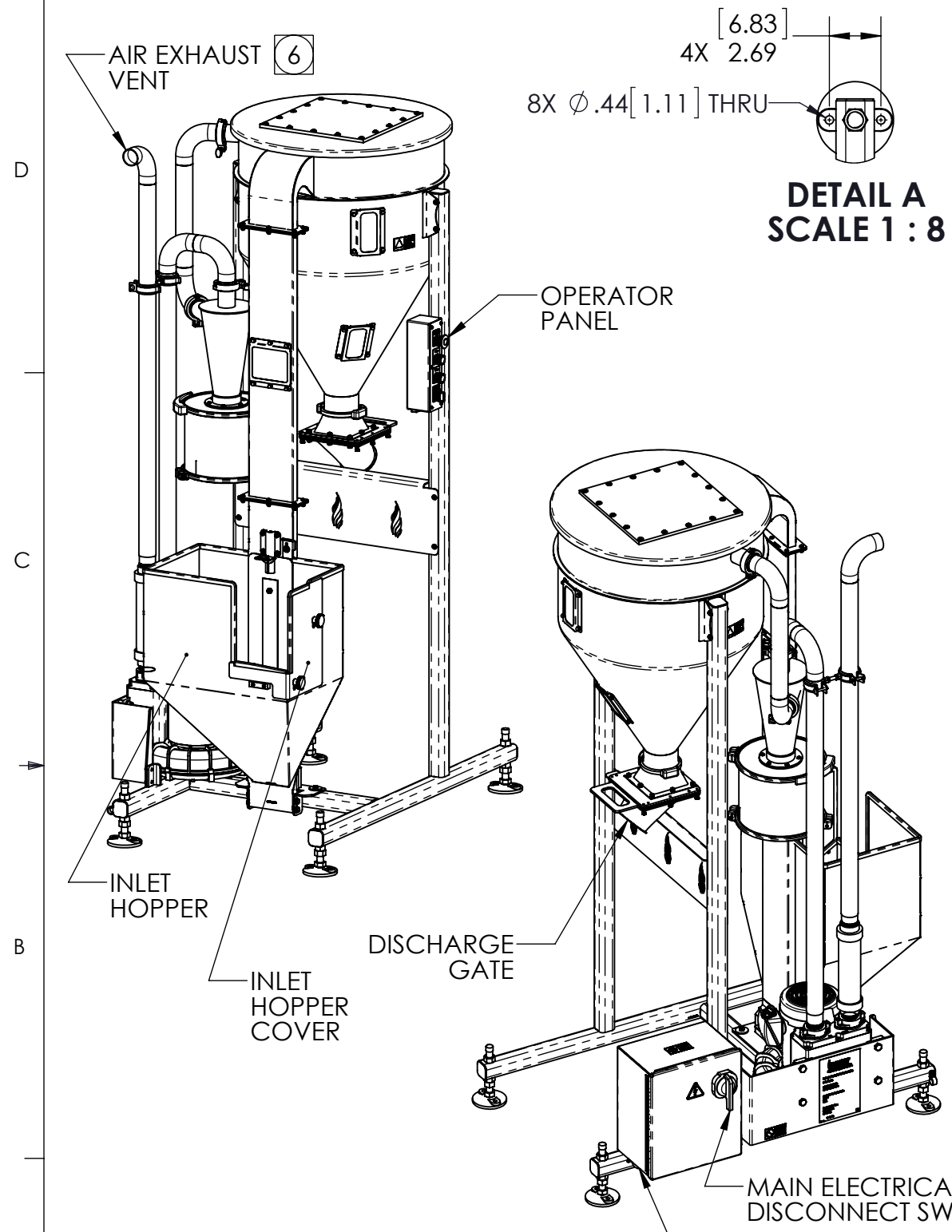


REVISION HISTORY				
ZONE	REV.	DESCRIPTION	DATE	APPROVED
	A	PRODUCTION RELEASE	1/06/2015	C. O'HARE



NOTES (UNLESS OTHERWISE SPECIFIED):

- 1) 3D CAD FILES ARE AVAILABLE UPON REQUEST.
- 2) DIMENSIONS IN [] ARE IN CENTIMETERS
- 3) REFER TO INSTALLATION DOCUMENTATION FOR UTILITY REQUIREMENTS AND OTHER SPECIFICATIONS.
- 4) DIMENSION WILL BE BASED ON ADJUSTABLE FOOT SETTING. DESTONER MUST BE HEIGHT ADJUSTED TO ROASTER DISCHARGE CHUTE.
- 5) LIFT DESTONER IN THESE AREAS ONLY
- 6) EXHAUST AIR FLOW RATE 154 SCFM MAX. TUBE SIZE 2.0" OD X .065" WALL.

TOLERANCES		NAME	DATE
ALL DIMENSIONS ARE IN INCHES		DRAWN	C O'HARE 12/23/2014
UNLESS OTHERWISE NOTED:		CHECKED	J HUTTON 1/06/2015
DECIMALS:	ANGLES:	ENG APPR.	ON FILE
.X ±.060	±0.5°	MFG APPR.	ON FILE
.XX ±.010		CHANGELIST	
.XXX ±.005		MATERIAL	
FRACTIONS: ±1/8"		FINISH	
SURFACE TEXTURE:		THIRD ANGLE PROJECTION	

PROPRIETARY ITEM: PROPRIETARY RIGHTS OF LORING SMART ROAST, INC. ARE INVOLVED IN THIS ITEM AND ALL MANUFACTURING, PRODUCTION, USE AND SALES RIGHTS PERTAINING TO SUCH ITEMS ARE EXPRESSLY RESERVED. BY ACCEPTING THIS ITEM WILL NOT BE USED, MADE, COPIED OR REPRODUCED IN WHOLE OR IN PART OR ITS NATURE REVEALED IN ANY MANNER OR TO ANY PERSON EXCEPT TO MEET THE PURPOSE FOR WHICH IT WAS DELIVERED.

LORING SMART ROAST, INC
 3200 DUTTON AVENUE, SUITE 413
 SANTA ROSA, CA 95407-5736

MECHANICAL INTERFACE CONTROL DRAWING, D35

SIZE	CAGE CODE	DWG.#	REV
B	5PY7	1002373	A
SCALE: 1:22		WT: 418 LBS	SHEET 1 OF 1